

Cordova Bay Road @ Ash Road

Wednesday, September 26, 2018

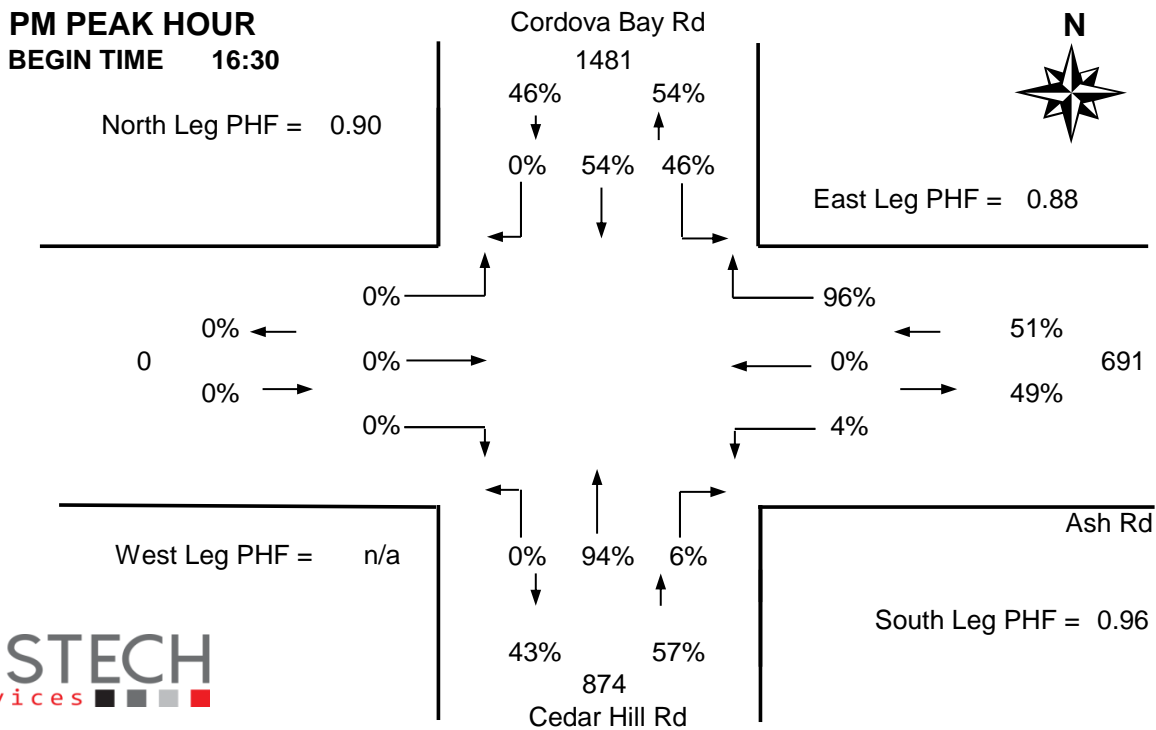
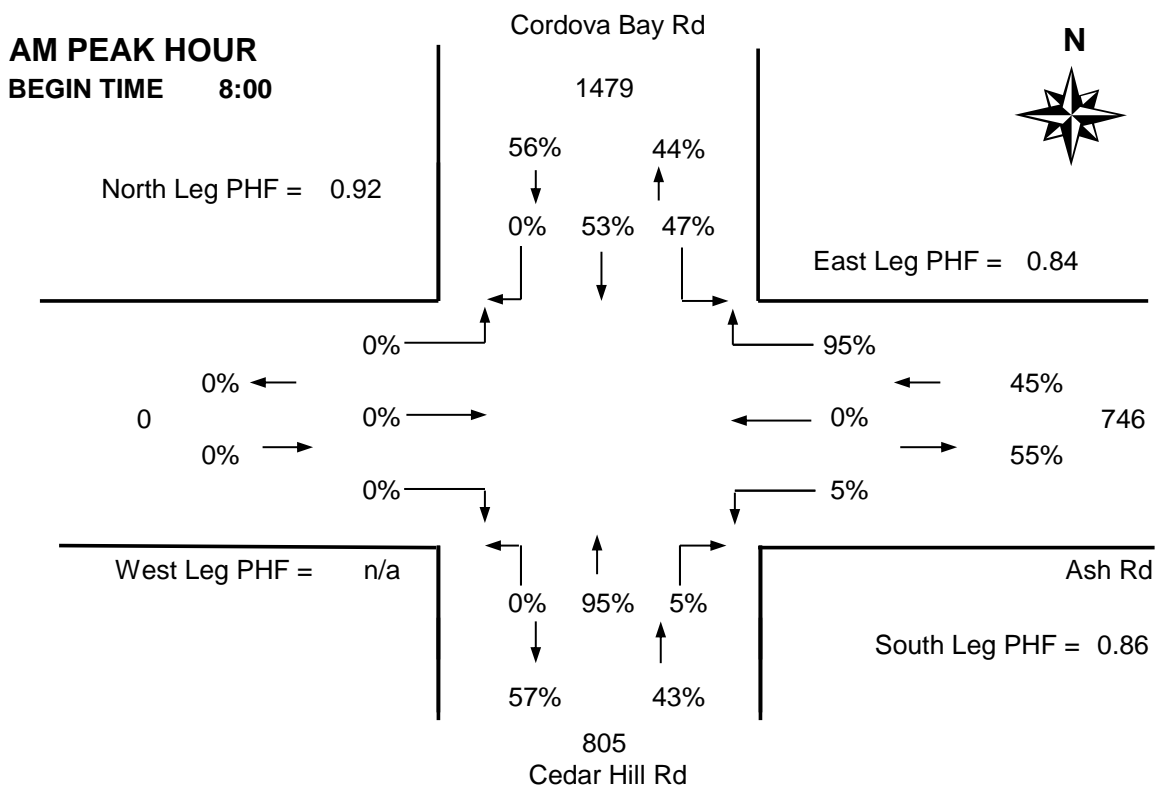


The data presented here is for information purposes only and should not be considered authoritative for construction, geotechnical, engineering, navigational, legal, or other site-specific uses. The information shared is owned by the Transportation Division of the Engineering Department at the District of Saanich. Accuracy is not guaranteed.

DISTRICT OF SAANICH 2018 TRAFFIC COUNTS

Major Route: Cordova Bay Road
Minor Route: Ash Road
Date: Wednesday, September 26, 2018
Filename: Cordova Bay@Ash-Sep26-2018.xls

Station #: TIN000620
Intersection Type: 3-leg east approach
East/West Route: Ash Road
Weather: Clear and dry



DISTRICT OF SAANICH 2018 TRAFFIC COUNTS

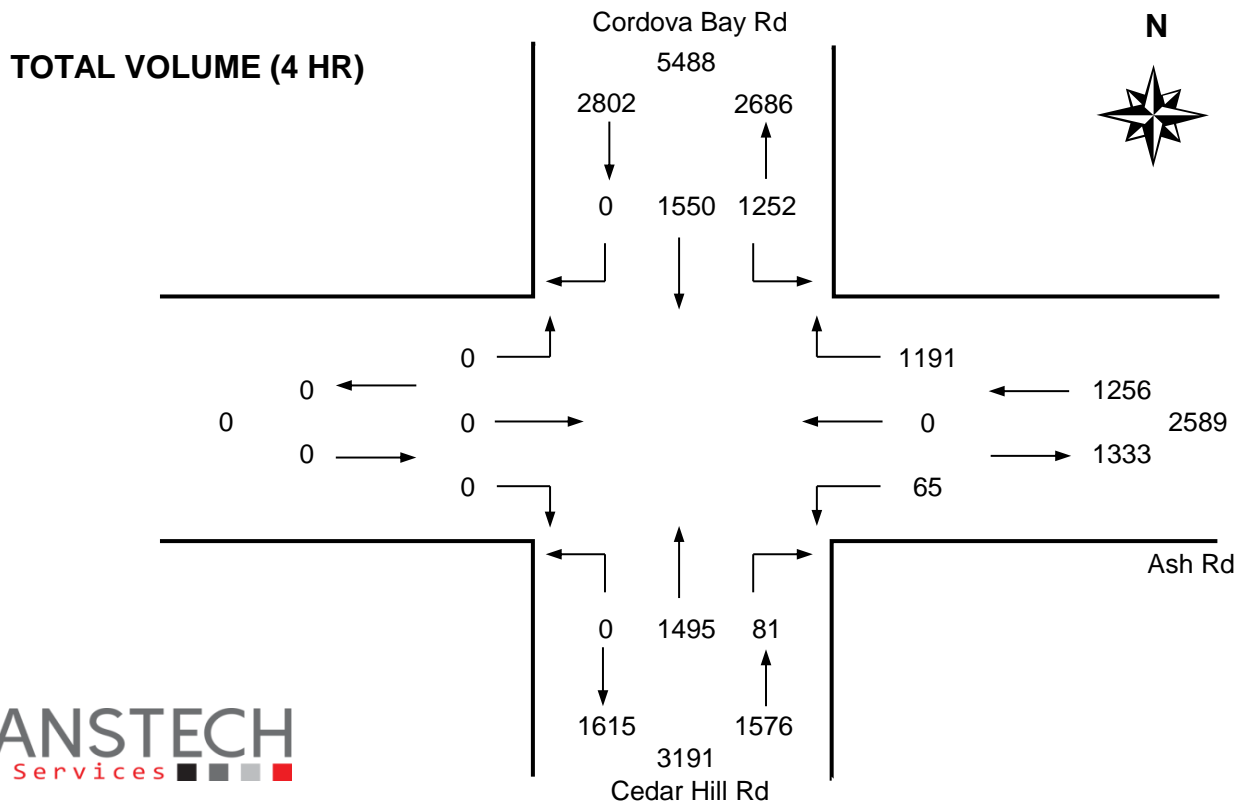
Major Route: Cordova Bay Road
Minor Route: Ash Road
Date: Wednesday, September 26, 2018
Filename: Cordova Bay@Ash-Sep26-2018.xls

Station #: TIN000620
Intersection Type: 3-leg east approach
East/West Route: Ash Road
Weather: Clear and dry

Comments: Count ID-2018136

Vehicle Data

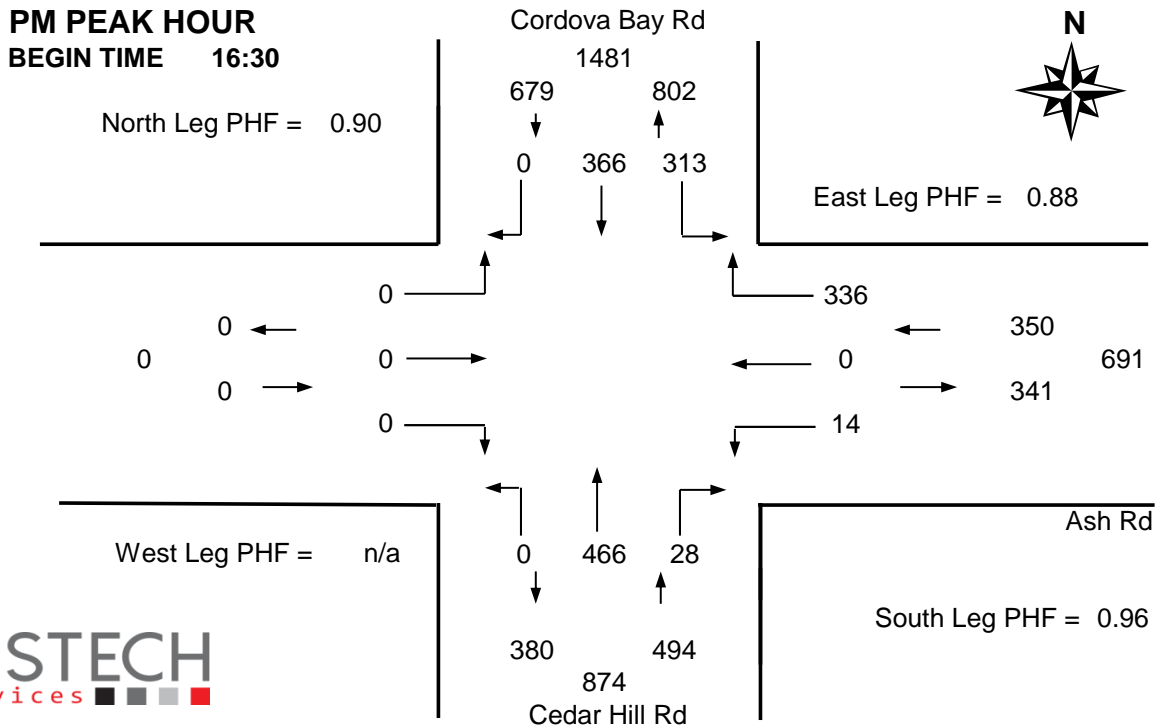
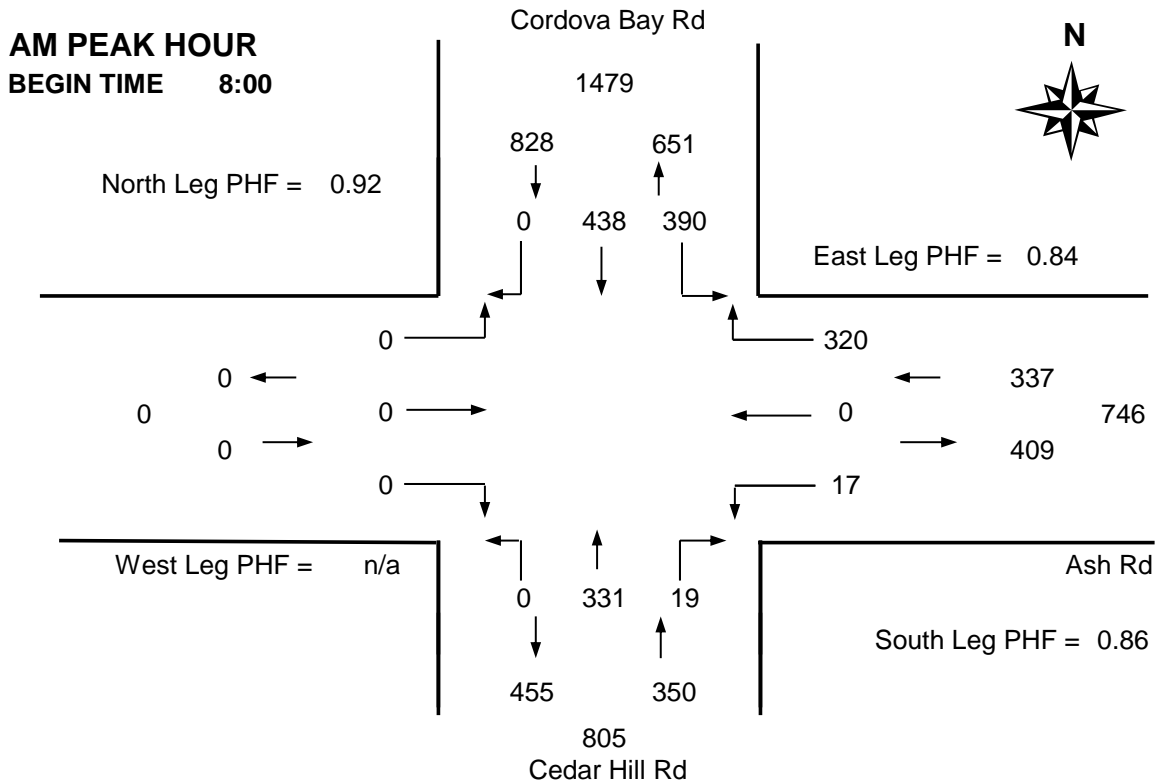
Time Period Starting	Cordova Bay Rd			Cedar Hill Rd			From West			Ash Rd			15 Min Total	Hourly Total	Pedestrians			
	From North			From South			Left	Thru	Right	From East					N	S	W	E
	Left	Thru	Right	Left	Thru	Right				Left	Thru	Right						
7:30	55	78			67	0				5		57	262	-	0	0		0
7:45	76	111			88	4				4		57	340	-	0	0		0
8:00	119	102			63	5				3		71	363 *	-	0	0		0
8:15	107	118			84	5				1		68	383 *	1348	0	0		0
8:30	66	95			97	5				6		94	363 *	1449	0	0		0
8:45	98	123			87	4				7		87	406 +	1515	0	0		0
9:00	72	108			64	4				4		59	311	1463	0	0		0
9:15	62	79			54	5				1		48	249	1329	0	0		0
Total	655	814	0	0	604	32	0	0	0	31	0	541	2677	-	0	0	0	0
Pk Hr	390	438	0	0	331	19	0	0	0	17	0	320	1515 *	-	0	0	0	0
Pk Hr Factor	0.82	0.89	n/a	n/a	0.85	0.95	n/a	n/a	n/a	0.61	n/a	0.85	0.93	* = Peak hour + = Peak 15 minutes				
	0.92			0.86			n/a			0.84								
15:30	72	90			125	6				8		77	378	-	0	0		0
15:45	75	103			102	4				1		91	376	-	0	0		0
16:00	58	100			109	5				1		62	335	-	0	0		0
16:15	79	77			89	6				10		84	345	1434	0	0		0
16:30	89	100			113	5				6		86	399 +	1455	0	0		0
16:45	75	91			117	4				3		97	387 *	1466	0	0		0
17:00	80	93			122	7				2		75	379 *	1510	0	0		0
17:15	69	82			114	12				3		78	358 *	1523	0	0		1
Total	597	736	0	0	891	49	0	0	0	34	0	650	2957	-	0	0	0	1
Pk Hr	313	366	0	0	466	28	0	0	0	14	0	336	1523 *	-	0	0	0	1
Pk Hr Factor	0.88	0.92	n/a	n/a	0.95	0.58	n/a	n/a	n/a	0.58	n/a	0.87	0.95					
	0.90			0.96			n/a			0.88								



DISTRICT OF SAANICH 2018 TRAFFIC COUNTS

Major Route: Cordova Bay Road
Minor Route: Ash Road
Date: Wednesday, September 26, 2018
Filename: Cordova Bay@Ash-Sep26-2018.xls

Station #: TIN000620
Intersection Type: 3-leg east approach
East/West Route: Ash Road
Weather: Clear and dry



DISTRICT OF SAANICH 2018 TRAFFIC COUNTS

Major Route: Cordova Bay Road
Minor Route: Ash Road
Date: Wednesday, September 26, 2018
Filename: Cordova Bay@Ash-Sep26-2018.xls

Station #: TIN000620
Intersection Type: 3-leg east approach
East/West Route: Ash Road
Weather: Clear and dry

Comments: Count ID-2018136

Bicycle Data

Time Period Starting	Cordova Bay Rd			Cedar Hill Rd			From West			Ash Rd			15 Min Total	Hourly Total
	From North			From South			From West			From East				
	Left	Thru	Right	Left	Thru	Right	Left	Thru	Right	Left	Thru	Right		
7:30	1	1			0	0				0		5	7 +	-
7:45	2	0			2	0				0		1	5 *	-
8:00	1	0			1	0				0		0	2 *	-
8:15	1	1			0	0				0		1	3 *	17
8:30	0	0			1	0				0		0	1	11
8:45	1	0			0	0				0		0	1	7
9:00	0	0			0	0				0		0	0	5
9:15	0	0			2	0				0		4	6	8
Total	6	2	0	0	6	0	0	0	0	0	0	11	25	-
Pk Hr	5	2	0	0	3	0	0	0	0	0	0	7	17 *	-
15x4	8	4	0	0	8	0	0	0	0	0	0	20	28 +	-

15:30	6	1			1	0				0		5	13 +	-
15:45	2	2			1	1				0		2	8 *	-
16:00	2	2			1	1				0		0	6 *	-
16:15	0	3			1	1				0		2	7 *	34
16:30	3	1			0	0				0		0	4	25
16:45	1	1			1	0				0		4	7	24
17:00	1	3			1	0				0		3	8	26
17:15	1	3			2	0				1		0	7	26
Total	16	16	0	0	8	3	0	0	0	1	0	16	60	-
Pk Hr	10	8	0	0	4	3	0	0	0	0	0	9	34 *	-
15x4	24	12	0	0	4	4	0	0	0	0	0	20	52 +	-

4 Hr	22	18	0	0	14	3	0	0	0	1	0	27	85	170
------	----	----	---	---	----	---	---	---	---	---	---	----	----	-----

PEAK HOUR SUMMARY

